

Product Datasheet

STD-SD-31K STD-SD-31K/V Emergency Cubicle Shower

Multi-nozzle cubicle decontamination shower with integral drain sump to reduce the risk of surplus contaminated water outside of the cubicle area. Ideal in locations where space is at a premium or where the emergency safety shower needs to be enclosed. Where a two-stage decontamination process is required the STD-SD-31K/V cubicle shower includes a detergent inducer and hose brush. Eye/face wash unit optional.



Specifications

MATERIALS OF CONSTRUCTION

PIPEWORK AND FITTINGS (K)	uPVC & stainless steel
OPERATING VALVES	316L stainless steel
SHOWER SPRAY OUTLETS	Hughes shower nozzles - uPVC
STANDARD FINISH	GRP
FRAME	316L stainless steel

SERVICES

WATER INLET	1" Male BSP
DESIGN OPERATING PRESSURE	3.5 to 6 BAR G (50 to 87 PSI) (higher supply pressures accommodated with the incorporation of the optional pressure reducing valve)
TEST PRESSURE	10.3 BAR G (149 PSI)
MINIMUM FLOW AT OPERATING PRESSURE	Shower: 115 litres/minute minimum (30 US Gallons).

ENVIRONMENTAL OPERATING TEMPERATURE

MINIMUM AMBIENT OPERATING TEMPERATURE	5° C (41° F) (-0° C (32° F) if valve is insulated)
MAXIMUM AMBIENT OPERATING TEMPERATURE	35° C (95° F)

OPERATIONAL

SHOWER SPRAY OPERATION	Foot panel for hands free operation
------------------------	-------------------------------------

WEIGHTS and DIMENSIONS

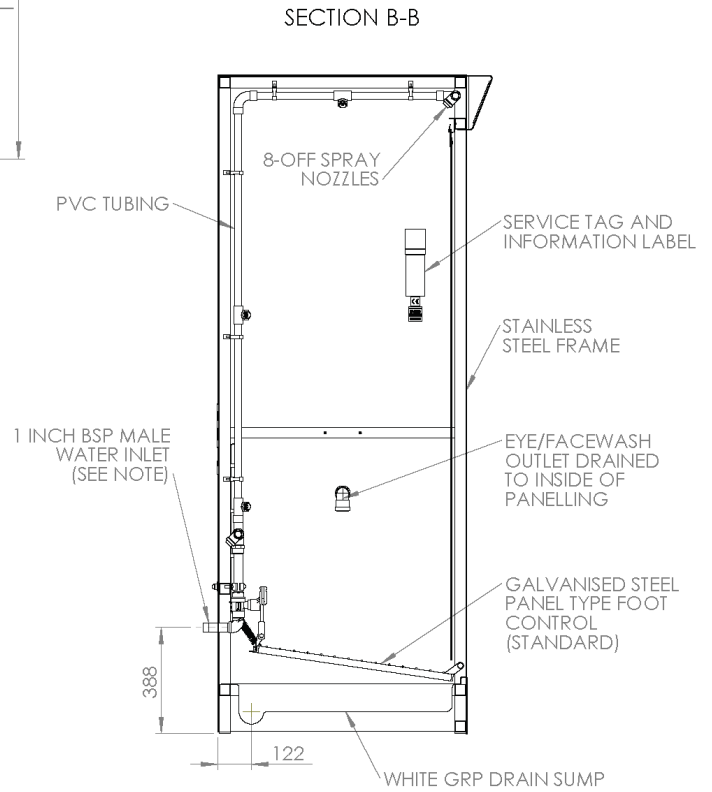
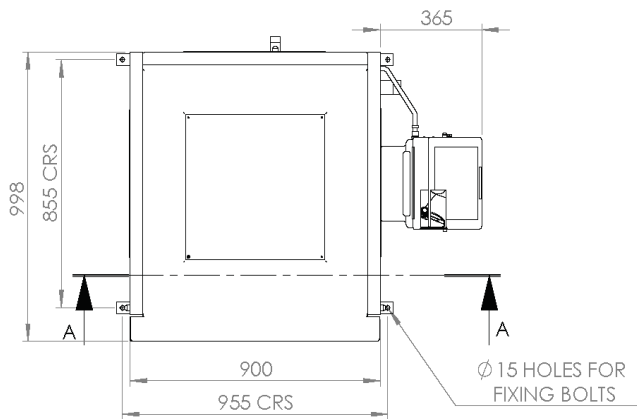
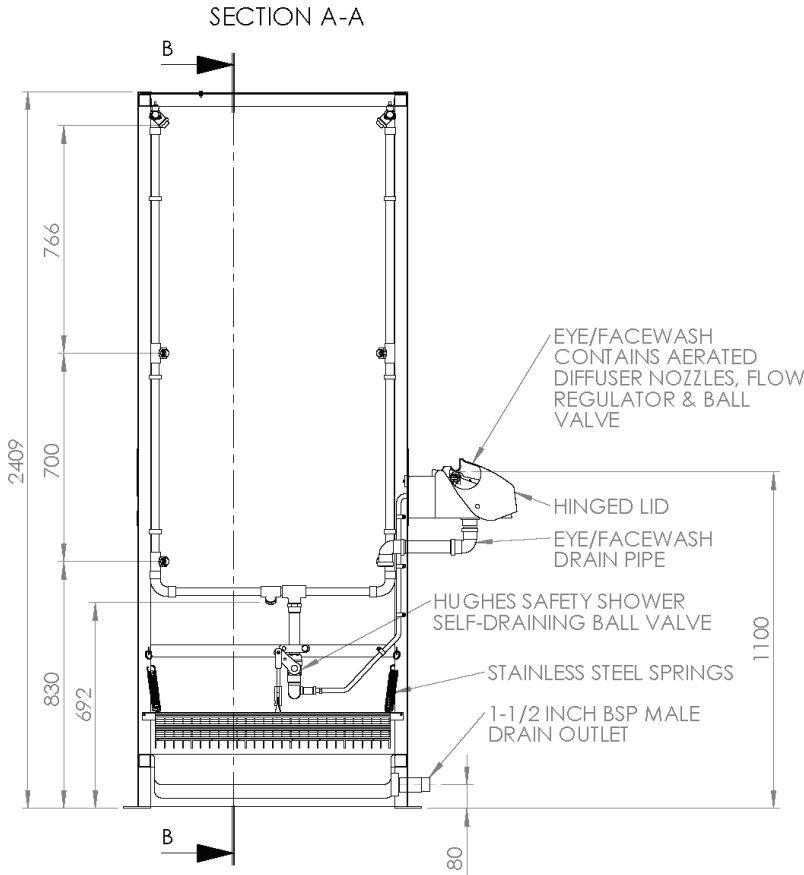
DIMENSIONS - STANDARD ORIENTATION (WxDxH)	1022mm (40.2in) x 1047mm (41.2in) x 2409mm (94.8in)
WEIGHT (NO OPTIONS)	145kg (320lb)

View our Guide to the ANSI/ISEA Z358.1-2014 International Standard for Emergency Eyewash and Shower Equipment at www.hughes-safety.com



STD-SD-31K
STD-SD-31K/V

Emergency Cubicle Shower



HUGHES



HUGHES-SAFETY.COM

a Justrite® Group Company

Hughes Safety Showers Ltd, Whitefield Road, Bredbury, Stockport SK6 2SS UK.

Email: info@hughes-safety.com

Tel: +44 (0)161 430 6618

Registered No. 0939240. VAT Registration No. 918 5005 32. Hughes Safety Showers Ltd is a Justrite Group Company.