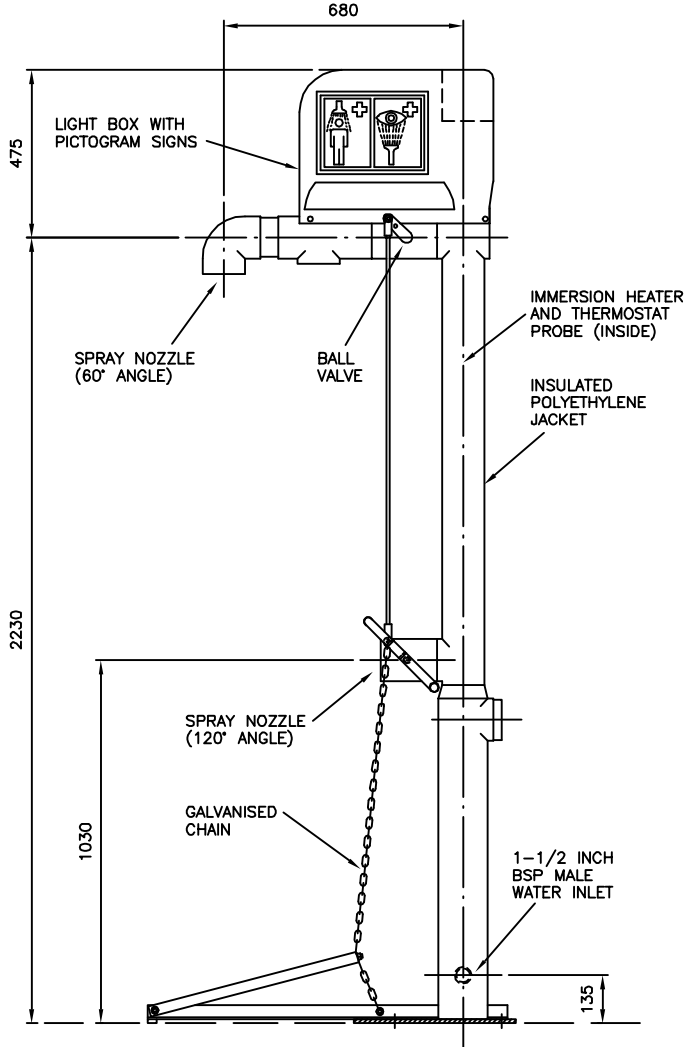
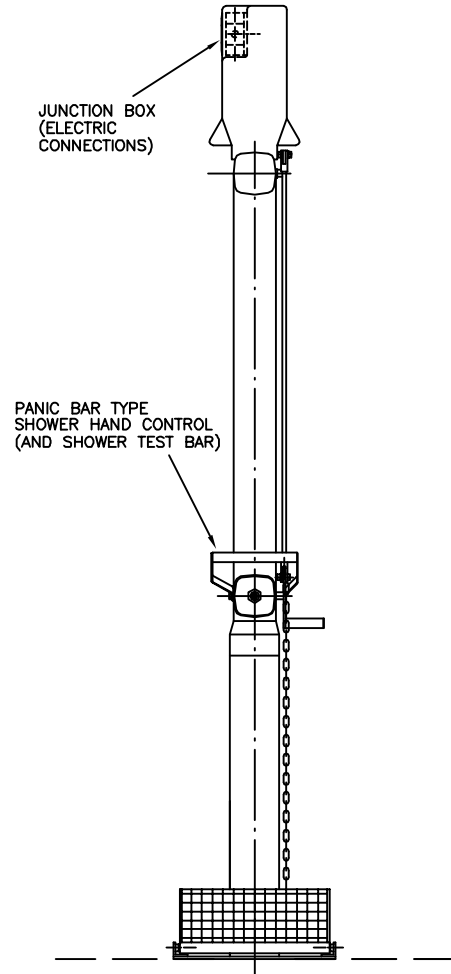


DIMENSIONS IN MILLIMETRES PROJECTION 

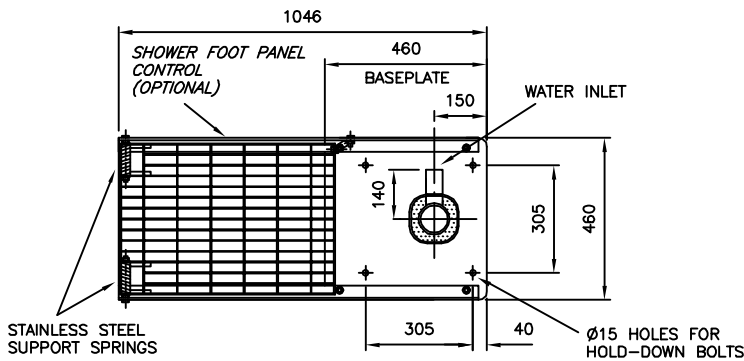
! LIGHT INSIDE LIGHT BOX (NON-FLAMEPROOF OR ZONE 1 & 2) CAN BE SUPPLIED IF REQUESTED, AS AN OPTIONAL EXTRA.



SIDE VIEW



REAR VIEW



PLAN ON BASEPLATE

FROST PROTECTED EMERGENCY SAFETY SHOWER
WITH ADDITIONAL BODY SPRAY.
HEATING ELEMENT AND MODULES ARE
REMOVABLE WITH STANDPIPE IN SITU.

K-SUFFIX DENOTES GALVANISED MILD STEEL
 KS-SUFFIX DENOTES STAINLESS STEEL

HUGHES SAFETY SHOWERS

Whitefield Rd, Bredbury, Stockport, Cheshire, SK6 2SS, England.
 Telephone (0)161 430 6618, Fax (0)161 430 7928.
 Email : sales@hughes-safety-showers.co.uk

DRAWN	RLC	MODEL	STD-MH-15K
CHECKED	S.F.		STD-MH-15KS
APPROVED	M.P.G.		
DATE	28/11/07	DRAWING NO:	DG12014 REV. E