

# Product Datasheet

## STD-38G

### Emergency Eye/Face/Body Wash - Self Contained

This portable 15 litre stainless steel cylinder with Optiflex hand shower effectively washes eyes, face and body delivering up to three minutes of water when pressurised via a Schraeder valve. The pressure gauge and dual action safety valve prevent over pressurisation and allow the user to vent the cylinder for cleaning and maintenance.

Available with an optional wall cabinet or heated cabinet.



## Specifications

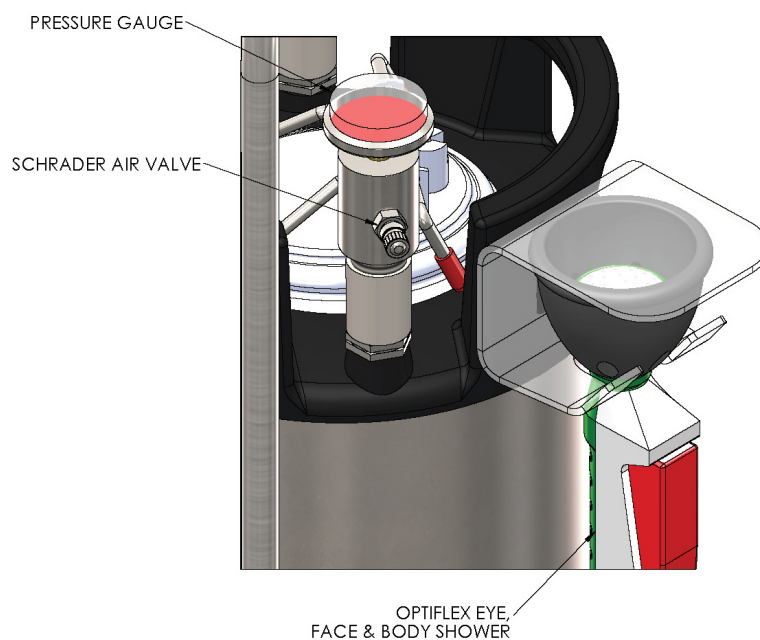
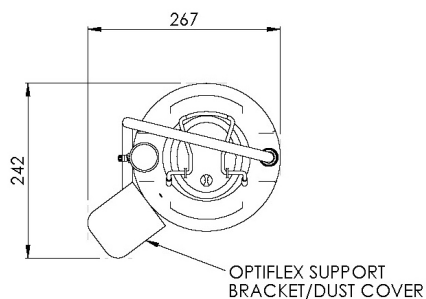
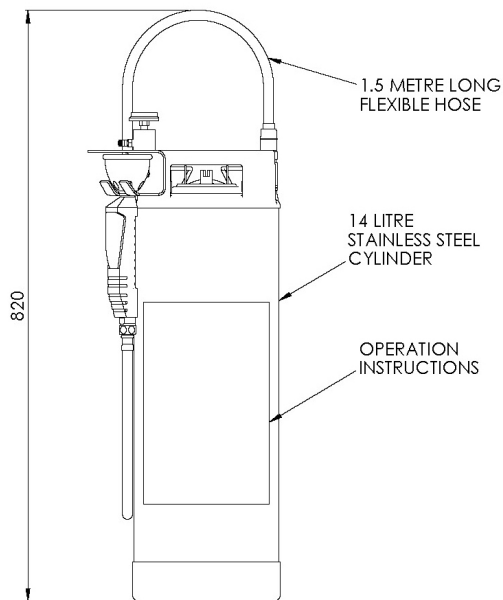
BODY	
MATERIAL	Stainless steel cylinder
VOLUME	15 litres (4 US Gallons)
SERVICES	
OPERATING PRESSURE	6.9 BAR G (100 PSI)
TEST PRESSURE	13.9 BAR G (201 PSI)
BURST PRESSURE	69 BAR G (1000 PSI)
FLOW RATE	6 litres per minute (1.59 gpm)
ENVIRONMENTAL OPERATING TEMPERATURE	
MINIMUM AMBIENT OPERATING TEMPERATURE	5° C (41° F)
MAXIMUM AMBIENT OPERATING TEMPERATURE	35° C (95° F)
ACTIVATION/OPERATION	
ACTIVATION	Hand operated lever
WEIGHTS and DIMENSIONS	
DIMENSIONS (WxDxH)	267mm (10.5in) x 242mm (9.5in) x 820mm (32.3in)
WEIGHT	20kg (44lb) full, 5kg (11lb) empty

View our Guide to the ANSI/ISEA Z358.1-2014 International Standard for Emergency Eyewash and Shower Equipment at [www.hughes-safety.com](http://www.hughes-safety.com)



## STD-38G

Emergency Eye/Face Wash - Self Contained



# HUGHES



[HUGHES-SAFETY.COM](http://HUGHES-SAFETY.COM)

a Justrite® Group Company

Hughes Safety Showers Ltd, Whitefield Road, Bredbury, Stockport SK6 2SS UK.

Email: [info@hughes-safety.com](mailto:info@hughes-safety.com)

Tel: +44 (0)161 430 6618

Registered No. 0939240. VAT Registration No. 918 5005 32. Hughes Safety Showers Ltd is a Justrite Group Company.