

Product Datasheet

MPC-H-2GS/11K Modular Polar Cubicle Shower



The modular polar cubicle shower has a stainless steel, double skinned, insulated frame making it perfect for outdoor use in exposed freezing conditions. Complete with eye/face wash and drain sump it also incorporates push-open insulated doors to give unimpeded access, which automatically close behind the casualty on entry. Windows in the doors enable the casualty to be monitored whilst using the shower in case assistance is required. An optional heated water tank can be connected to ensure a constant supply of tepid water for 15 minutes.

Specifications

MATERIALS OF CONSTRUCTION

PIPEWORK & FITTINGS (Galvanised)	Galvanised mild steel pipework with 150lb medium wall tubulars and fittings with galvanised mild steel frame
PIPEWORK & FITTINGS (Stainless steel)	316L stainless steel pipework with 150lb medium wall tubulars and fittings with stainless steel frame
OPERATING VALVES	316L stainless steel
SHOWER SPRAY OUTLET	Moulded nylon 6
STANDARD FINISH (Cubicle)	White GRP (fibreglass) gloss finish with green & white safety stripes (alternative colours available)

SERVICES

WATER INLET	1" Female BSP
DESIGN OPERATING PRESSURE	2.2 to 6 BAR G (32 to 87 PSI) (higher supply pressures accommodated with the incorporation of the optional pressure reducing valve)
HEATING TYPE	Trace tape heated and pre-insulated pipework
INSULATION	40mm (1½") polyurethane insulation foil backed
TRACE HEATING LOAD	18 Watts (2M long 3BTV)
ELECTRICAL EQUIPMENT - Non-hazardous	Suitable for use in areas classified as non-hazardous
ELECTRICAL EQUIPMENT - Hazardous	ATEX Zone 1 & 2. Gas groups IIA & IIB. Temp Class T3 (IIC available)
ELECTRICAL SUPPLY	230V, 50/60Hz or 110V available
TEST PRESSURE	10.3 BAR G (149 PSI)
FLOW AT OPERATING PRESSURE	Shower - 76 litres/minute (20 US Gallons). Eye/face wash - 12 litres/minute (3 US Gallons)

ENVIRONMENTAL OPERATING TEMPERATURE

MINIMUM AMBIENT OPERATING TEMPERATURE	-35° C (31° F)
MAXIMUM AMBIENT OPERATING TEMPERATURE	45° C (104° F)

ACTIVATION/OPERATION

SHOWER SPRAY	Panic bar (optional foot panel control for hands free)
EYE/FACE WASH	Lift lid up (optional treadle foot control for hands free)

WEIGHTS and DIMENSIONS

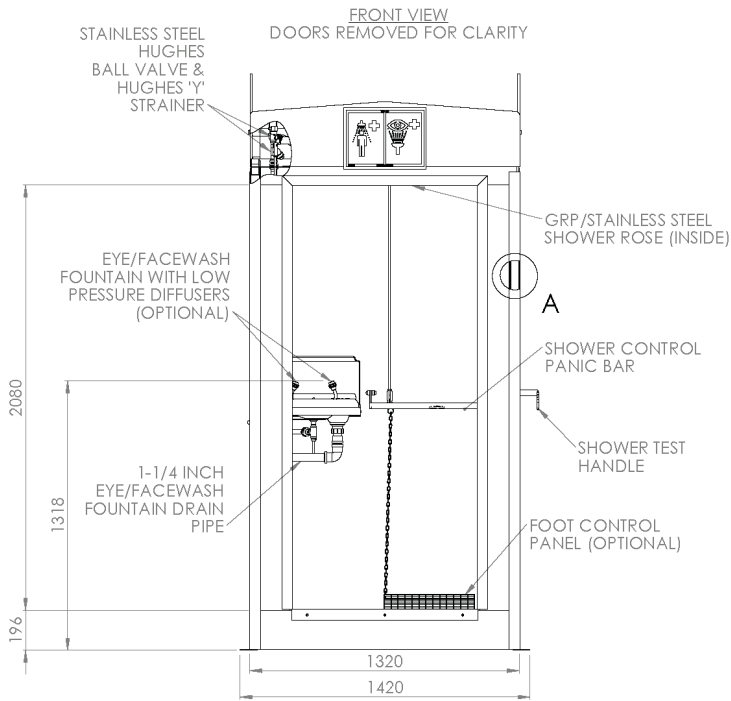
DIMENSIONS (standard orientation) WxDxH	1420mm (55.9in) x 1320mm (52in) x 2815mm (110.8in)
WEIGHT	410kg (904lbs)

View our Guide to the ANSI/ISEA Z358.1-2014 International Standard for Emergency Eyewash and Shower Equipment at www.hughes-safety.com

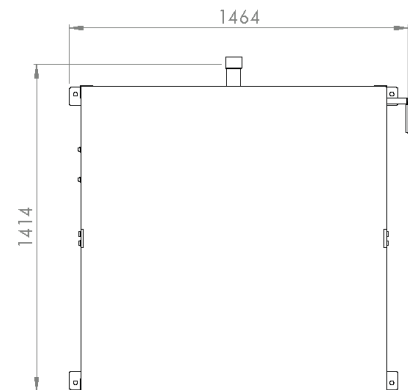
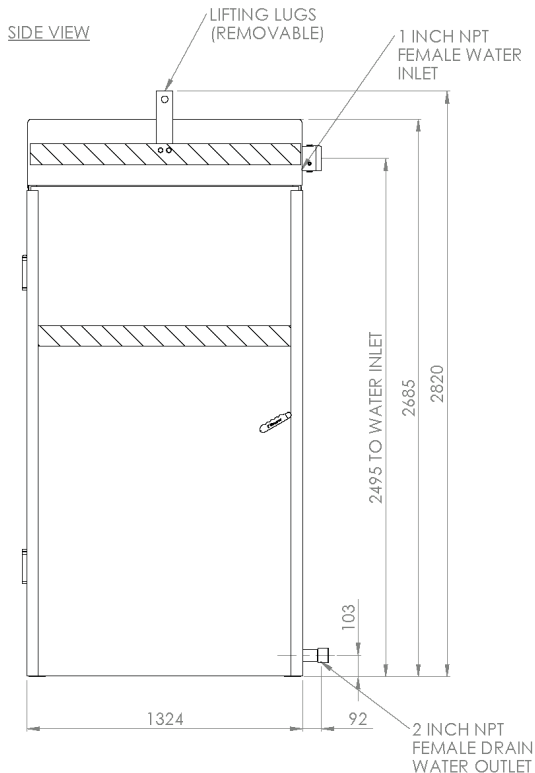
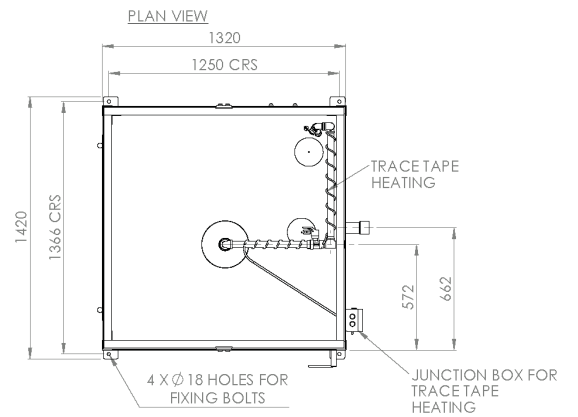
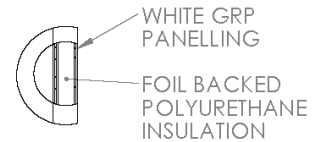


MPC-H-2GS/11K

Modular Polar Cubicle Shower



DETAIL A
SCALE 1 : 15



HUGHES



HUGHES-SAFETY.COM

a Justrite® Group Company

Hughes Safety Showers Ltd, Whitefield Road, Bredbury, Stockport SK6 2SS UK.

Email: info@hughes-safety.com

Tel: +44 (0)161 430 6618

Registered No. 0939240. VAT Registration No. 918 5005 32. Hughes Safety Showers Ltd is a Justrite Group Company.