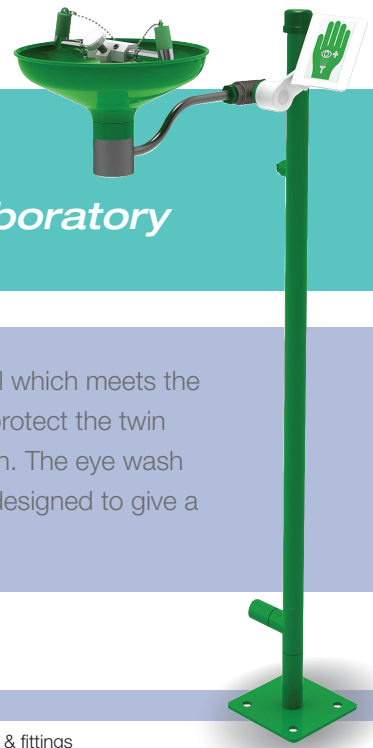


Product Datasheet



LAB-85GS/P

Emergency Eye/Face Wash - *Plumbed in Laboratory*

Pedestal-mounted eye/face wash with integral powder coated stainless steel bowl which meets the requirements of the European Standard EN 15154 for Laboratories. Dust covers protect the twin spray nozzles from contaminants and are lifted off by the water jets upon operation. The eye wash diffusers are fitted with fine mesh strainers and individual flow controllers and are designed to give a gentle flow of aerated water.

Specifications

MATERIALS OF CONSTRUCTION	
PIPEWORK & FITTINGS (GS)	316L stainless steel with 150lb medium wall tubulars & fittings
OPERATING VALVE	316L stainless steel
EYE/FACE WASH BOWL	Powder coated stainless steel
EYE WASH DIFFUSERS	Chrome plated brass with stainless steel mesh
STAINLESS STEEL - STANDARD FINISH	Green powder coated polyester finish
SERVICES	
WATER INLET	1" Male BSP
DESIGN OPERATING PRESSURE	2.0 to 6 BAR G (29 to 87 PSI) (higher supply pressures accommodated with the incorporation of the optional pressure reducing valve)
TEST PRESSURE	10.3 BAR G (149 PSI)
MINIMUM FLOW RATES	Eye/face wash: 12 litres/minute minimum (3 US Gallons)
ENVIRONMENTAL OPERATING TEMPERATURE	
MINIMUM AMBIENT OPERATING TEMPERATURE	5° C (41° F)
MAXIMUM AMBIENT OPERATING TEMPERATURE	35° C (95° F)
ACTIVATION/OPERATION	
EYE/FACE WASH	Push plate operated (Optional treadle foot control for hands free operation)
WEIGHTS and DIMENSIONS	
DIMENSIONS (WxDxH)	429mm (16.9in) x 547mm (21.5in) x 1110mm (43.7in)
WEIGHT	8kg (18lbs)

View our Guide to the ANSI/ISEA Z358.1-2014 International Standard for Emergency Eyewash and Shower Equipment at www.hughes-safety.com



HUGHES

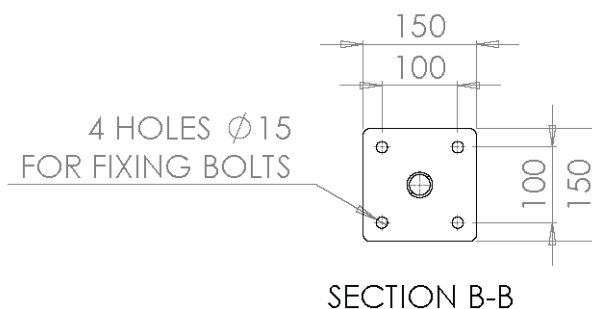
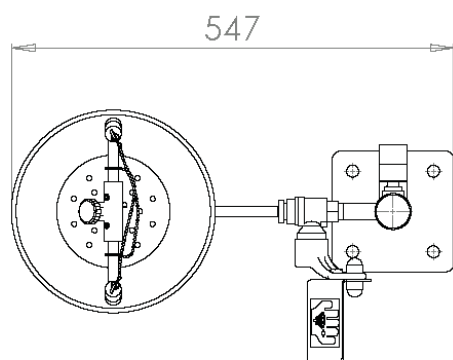
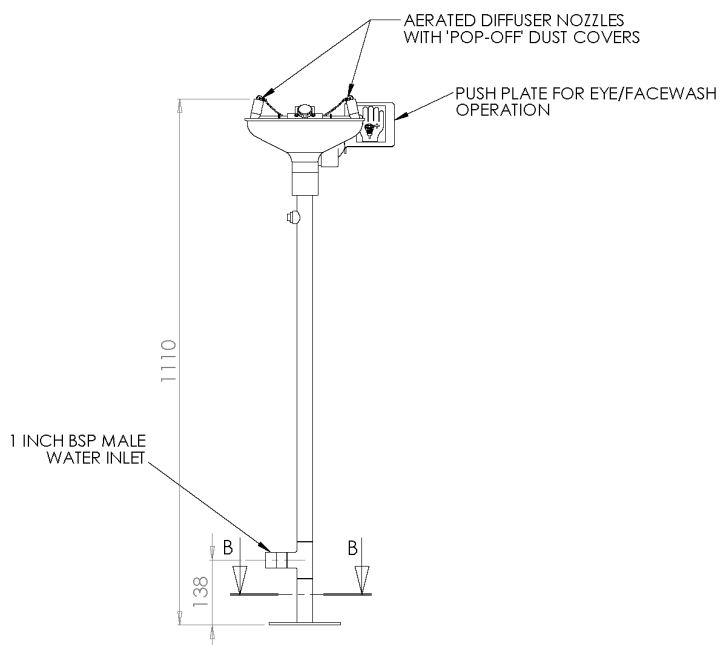
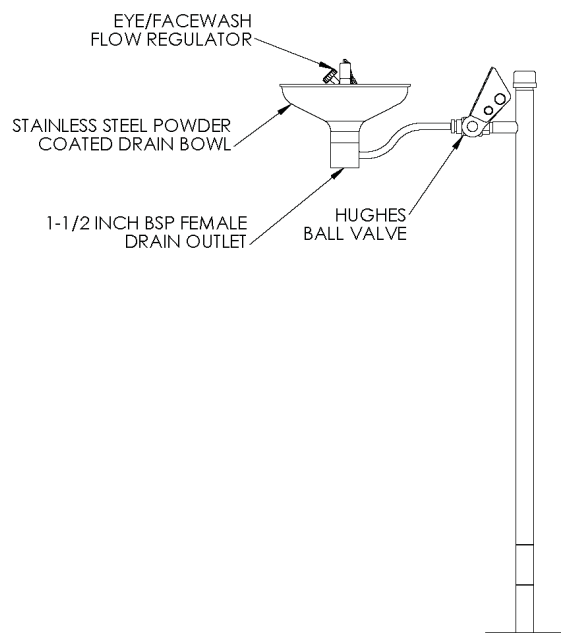


HUGHES-SAFETY.COM

www.hughes-safety.com

LAB-85GS/P

Emergency Eye/Face Wash - Plumbed in Laboratory



HUGHES



HUGHES-SAFETY.COM

a Justrite® Group Company

Hughes Safety Showers Ltd, Whitefield Road, Bredbury, Stockport SK6 2SS UK.

Email: info@hughes-safety.com

Tel: +44 (0)161 430 6618

Registered No. 0939240. VAT Registration No. 918 5005 32. Hughes Safety Showers Ltd is a Justrite Group Company.