



UNHEATED LABORATORY SHOWER

- Designed in accordance with ANSI and EU guidelines
- Ring main, wall and ceiling mounted units
- Ideal for laboratories, schools, store rooms and general light duty indoor use
- Stainless steel with an easy clean green powder polyester finish
- The white operating element provides easy location and operation even if vision is impaired in an emergency situation
- Hughes ball valve for greater reliability and longer life
- Choice of optional components including alarms and Optiflex



LAB-23GS/H

LAB-23GS, LAB-23GS/H & LAB-23GS/OD

Unheated Ring Main Mounted Laboratory Shower with flanged ceiling mounted shower rose, without wall mounting plate.

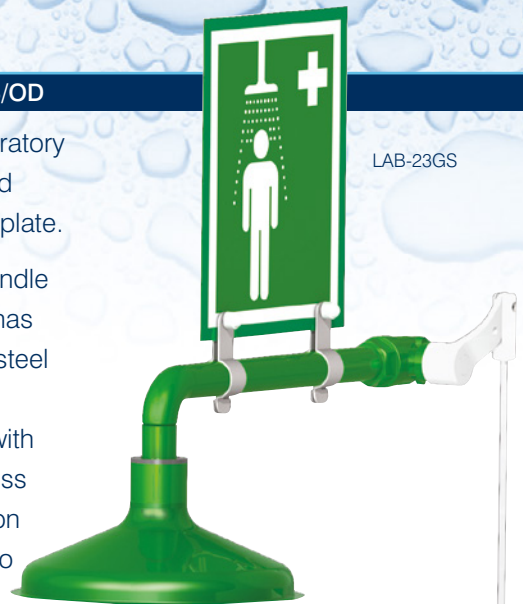
The shower is operated by a pull handle for ease of use in an emergency. It has a removable self-draining stainless steel shower rose, which is specifically designed for high flow rates in line with EU and ANSI standards. The stainless steel pipework is welded construction with all welds ground smooth prior to powder coating.

Available with wall mounting plate - model LAB-23GS/H. Also available as Over-Door Model - LAB-23GS/OD.

Laboratory Safety Showers

LAB-23GS

LAB-23GS/V, LAB-23GS/H, LAB-23GS/OD



LAB-23GS

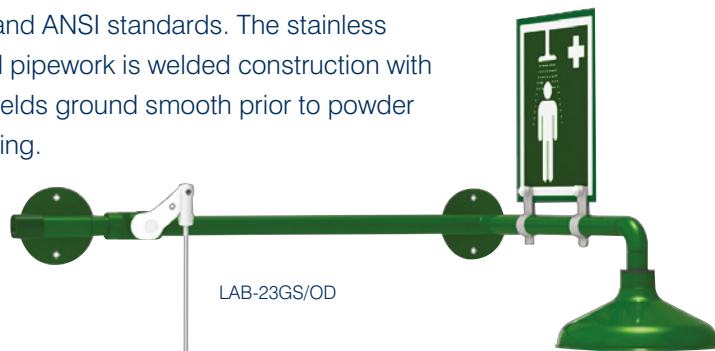
LAB-23GS/V

Unheated Ceiling Mounted Laboratory Shower with ceiling mounting plate and flanged ceiling mounted shower rose.

The shower is operated by a pull handle for ease of use in an emergency. It has a removable self-draining stainless steel shower rose, which is specifically designed for high flow rates in line with EU and ANSI standards. The stainless steel pipework is welded construction with all welds ground smooth prior to powder coating.



LAB-23GS/V



LAB-23GS/OD

HUGHES

HUGHES-SAFETY-SHOWERS.CO.UK



Health & Wellbeing Award



Champion





Laboratory Safety Showers

LAB-23GS

LAB-23GS/V, LAB-23GS/H, LAB-23GS/OD

TECHNICAL DETAILS

LAB-23GS Laboratory Shower

MATERIALS OF CONSTRUCTION

PIPEWORK & FITTINGS (GS)	316L Stainless Steel with 150lb medium wall tubulars & fittings
OPERATING VALVE	Hughes - 316 Stainless Steel
SHOWER SPRAY OUTLET	Hughes Stainless Steel Shower Head
STAINLESS STEEL - STANDARD FINISH	Green Polyester

SERVICES

WATER INLET	1" Male BSP
DESIGN OPERATING PRESSURE	1.5 to 6 BAR G (Higher supply pressures accommodated with the incorporation of the optional Pressure Reducing Valve)
TEST PRESSURE	10.3 BAR G
MINIMUM FLOW AT OPERATING PRESSURE	Shower: 76 litres/minute

ENVIRONMENTAL OPERATING TEMPERATURE

MINIMUM AMBIENT OPERATING TEMP	5° C (41° F)
MAXIMUM AMBIENT OPERATING TEMP	35° C (95° F)

ACTIVATION/OPERATION

SHOWER	Pull Handle
--------	-------------

WEIGHTS and DIMENSIONS

DIMENSIONS	260(W) x 715(D) x 200mm(H)
WEIGHT (UNPACKED)	3Kg (no options)

Standards



- ALLOCATE A LOCATION REFERENCE FOR EASE OF IDENTIFICATION
- ALL UNITS TO BE ACTIVATED WEEKLY - ANSI Z358.1 2009
- SAFETY SHOWER/EYE WASH MUST BE LOCATED WITHIN 10 SECONDS OR 15 METRES OF A POTENTIAL HAZARD - ANSI Z358.1 2009
- THE UNIT MUST BE LOCATED ON THE SAME LEVEL AS THE HAZARD AND THE PATH OF TRAVEL & LOCAL AREA SHOULD BE FREE FROM OBSTRUCTIONS - ANSI Z358.1 2009
- THE UNIT SHOULD BE WELL LIT AND IDENTIFIED WITH HIGHLY VISIBLE SIGNAGE TO BS EN ISO 7010 - ANSI Z358.1 2009
- FLUSH FOR SUFFICIENT DURATION TO PURGE THE SUPPLY PIPE WITH FRESH WATER
- REPLACE WORN OR ILLEGIBLE SAFETY SIGNS AND STICKERS
- SIGN & DATE SERVICE TAG WHEN SERVICE COMPLETED

Hughes Ball Valve

- Designed using the latest 3D modelling software
- Specifically developed for Hughes Emergency Shower and Eye wash equipment
- Stainless steel construction to cope with the harshest atmospheres
- Low operating torque designed for ease of operation
- Tested and witnessed by independent test house specialist
- Designed for rough service



HUGHES

HUGHES-SAFETY-SHOWERS.CO.UK





Laboratory Safety Showers

LAB-23GS

LAB-23GS/V, LAB-23GS/H, LAB-23GS/OD

OPTIONS

Options



Shower Sign



Well Glass Light



ABS Shower Rose



Optiflex



Shower Proximity Switch



Flow Switch



Audible/Visual Alarm



Audible Alarm



Visual Alarm



Pressure Reducing Valve



Inlet Flange



	Optional Fittings	Shower Sign	Well Glass Light & Mounting Brackets	ABS Shower Rose	Optiflex	Shower Proximity Switch	Flow Switch	Audible/Visual Alarm	Audible Alarm	Visual Alarm	Brass Pressure Reducing Valve	Inlet Flange
LAB-23GS	●	●	●	●	●	●	●	●	●	●	●	●
LAB-23GS/V	●	●	●	●	●	●	●	●	●	●	●	●
LAB-23GS/H	●	●	●	●	●	●	●	●	●	●	●	●
LAB-23GS/OD	●	●	●	●	●	●	●	●	●	●	●	●

PRODUCT INFORMATION SHEET



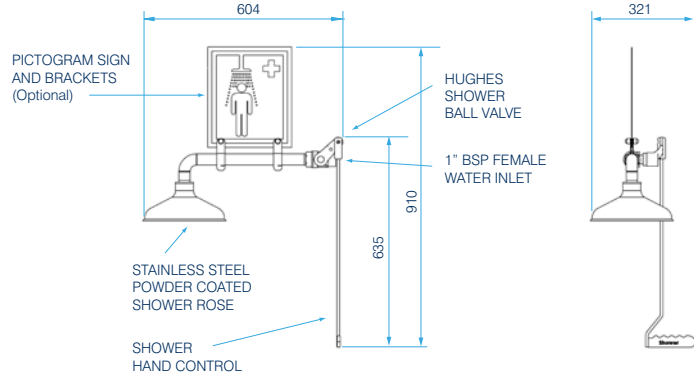
Laboratory Safety Showers

LAB-23GS

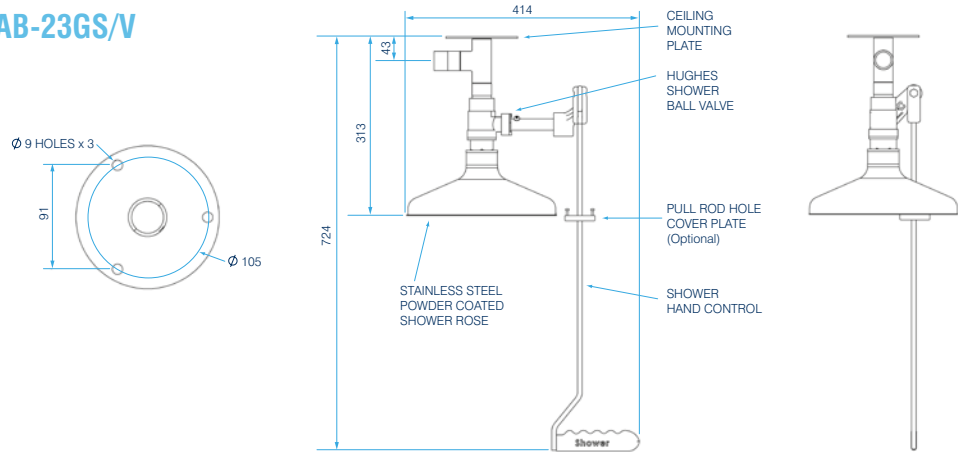
LAB-23GS/V, LAB-23GS/H, LAB-23GS/OD

G.A. DRAWING

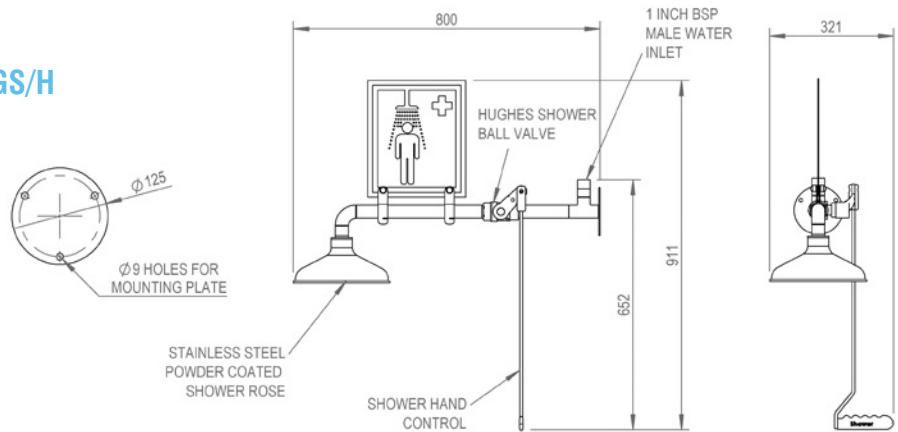
LAB-23GS



LAB-23GS/V



LAB-23GS/H



HUGHES SAFETY SHOWERS LTD

Whitefield Road, Bredbury, Stockport, Cheshire, SK6 2SS England, UK.

T: +44 (0)161 430 6618

E: info@hughes-safety-showers.co.uk F: +44 (0)161 430 7928

www.hughes-safety-showers.co.uk

Registered No. 0939240. VAT Registration No. 918 5005 32. Hughes Safety Showers Ltd is a wholly owned subsidiary of the JD Hughes Group PLC.

