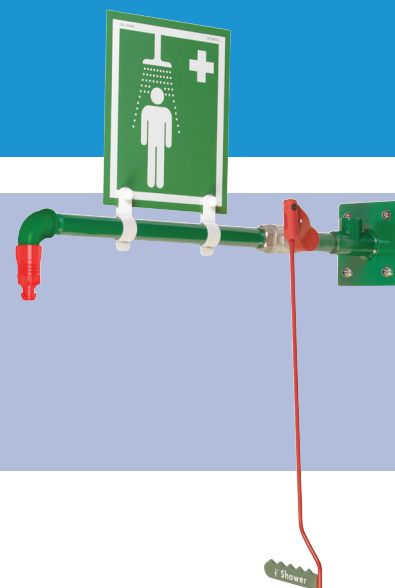


# Product Datasheet

## EXP-23G/H EXP-23GS/H Indoor Unheated Emergency Safety Shower



Wall mounted unheated emergency safety shower, intended for use in environments where space is at a premium. This drench shower is suitable for use in all applications that don't require an eyewash and are not subject to the possibility of freezing or overheating. Available with galvanised mild steel or 316L stainless steel pipework.

## Specifications

### MATERIALS OF CONSTRUCTION

PIPEWORK AND FITTINGS (G)	Galvanised mild steel with 150lb medium wall tubulars and fittings
PIPEWORK AND FITTINGS (GS)	316L stainless steel with 150lb medium wall tubulars and fittings
OPERATING VALVES	316L stainless steel
SHOWER SPRAY OUTLET	Moulded nylon 6
STANDARD FINISH (Galvanised mild steel)	Green powder coated (alternative colours available)
STANDARD FINISH (Stainless steel)	Polished brush finish (paint options available)

### SERVICES

WATER INLET	1" Female BSP
DESIGN OPERATING PRESSURE	1.5 to 6 BAR G (22 to 87 PSI) (higher supply pressures accommodated with the incorporation of the optional pressure reducing valve)
TEST PRESSURE	10.3 BAR G (149 PSI)
MINIMUM FLOW AT OPERATING PRESSURE	Shower: 76 litres/minute minimum (20 US Gallons)

### ENVIRONMENTAL OPERATING TEMPERATURE

MINIMUM AMBIENT OPERATING TEMPERATURE	5° C (41° F)
MAXIMUM AMBIENT OPERATING TEMPERATURE	35° C (95° F)

### OPERATIONAL

SHOWER SPRAY OPERATION	Pull handle (optional foot panel for hands free operation)
------------------------	--

### WEIGHTS and DIMENSIONS

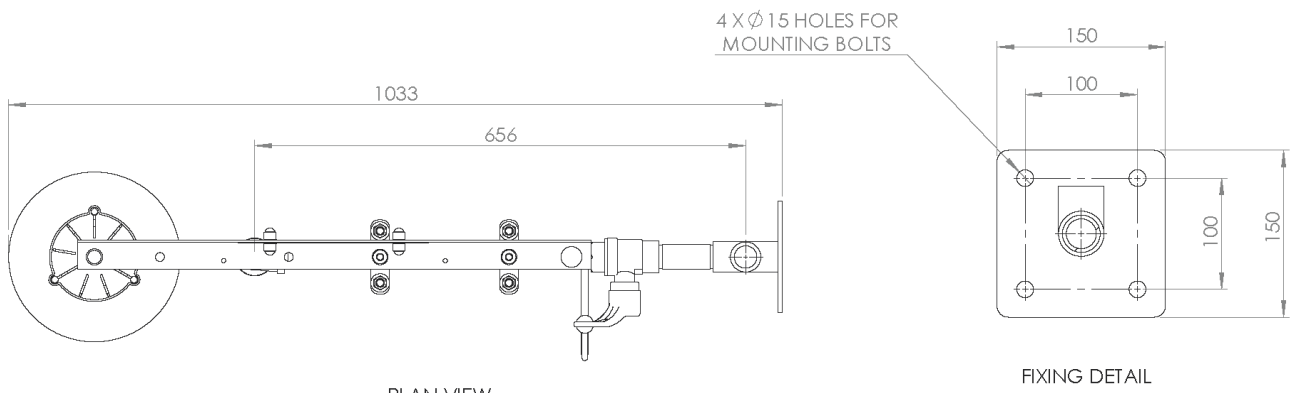
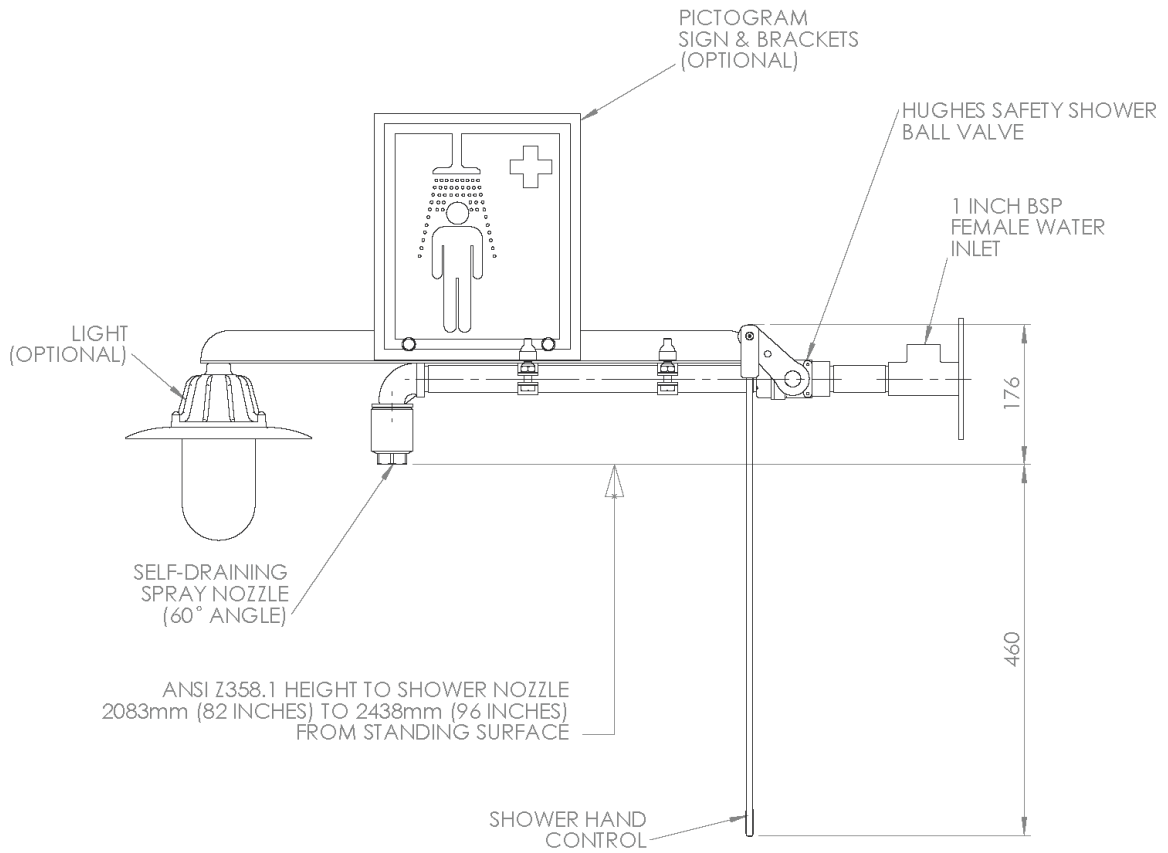
DIMENSIONS - STANDARD ORIENTATION (WxDxH)	162mm (6.4in) x 688mm (27.1in) x 702mm (27.6in)
WEIGHT (NO OPTIONS)	5kg (11lbs)

View our Guide to the ANSI/ISEA Z358.1-2014 International Standard for Emergency Eyewash and Shower Equipment at [www.hughes-safety.com](http://www.hughes-safety.com)



**EXP-23G/H**  
**EXP-23GS/H**

Indoor Unheated Emergency Safety Shower



**HUGHES**



**HUGHES-SAFETY.COM**

a Justrite® Group Company

Hughes Safety Showers Ltd, Whitefield Road, Bredbury, Stockport SK6 2SS UK.

Email: [info@hughes-safety.com](mailto:info@hughes-safety.com)

Tel: +44 (0)161 430 6618

Registered No. 0939240. VAT Registration No. 918 5005 32. Hughes Safety Showers Ltd is a Justrite Group Company.