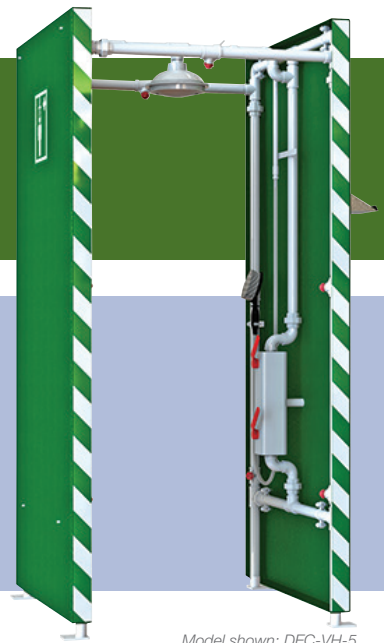


Product Datasheet

DEC-VH-5 DEC-VH-5S Freeze Protected PPE Decontamination Shower

This trace-tape heated and pre-insulated two-stage decontamination shower for outdoor use incorporates a detergent inducing venture feeding an overhead shower and hose brush, plus ten high velocity spray nozzles for the secondary wash-down providing a thorough 360° decontamination. Also available with GRP drain sump. Suitable for use in hazardous areas. Available with galvanised or 316L stainless steel pipework.



Model shown: DEC-VH-5

Specifications

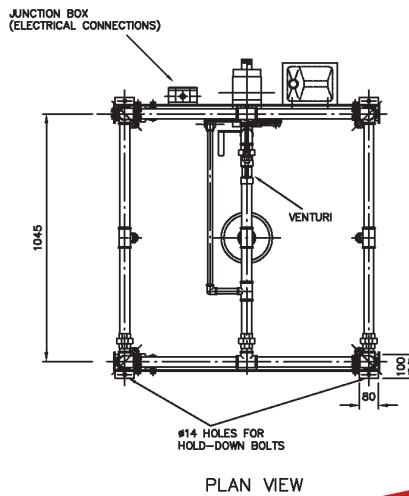
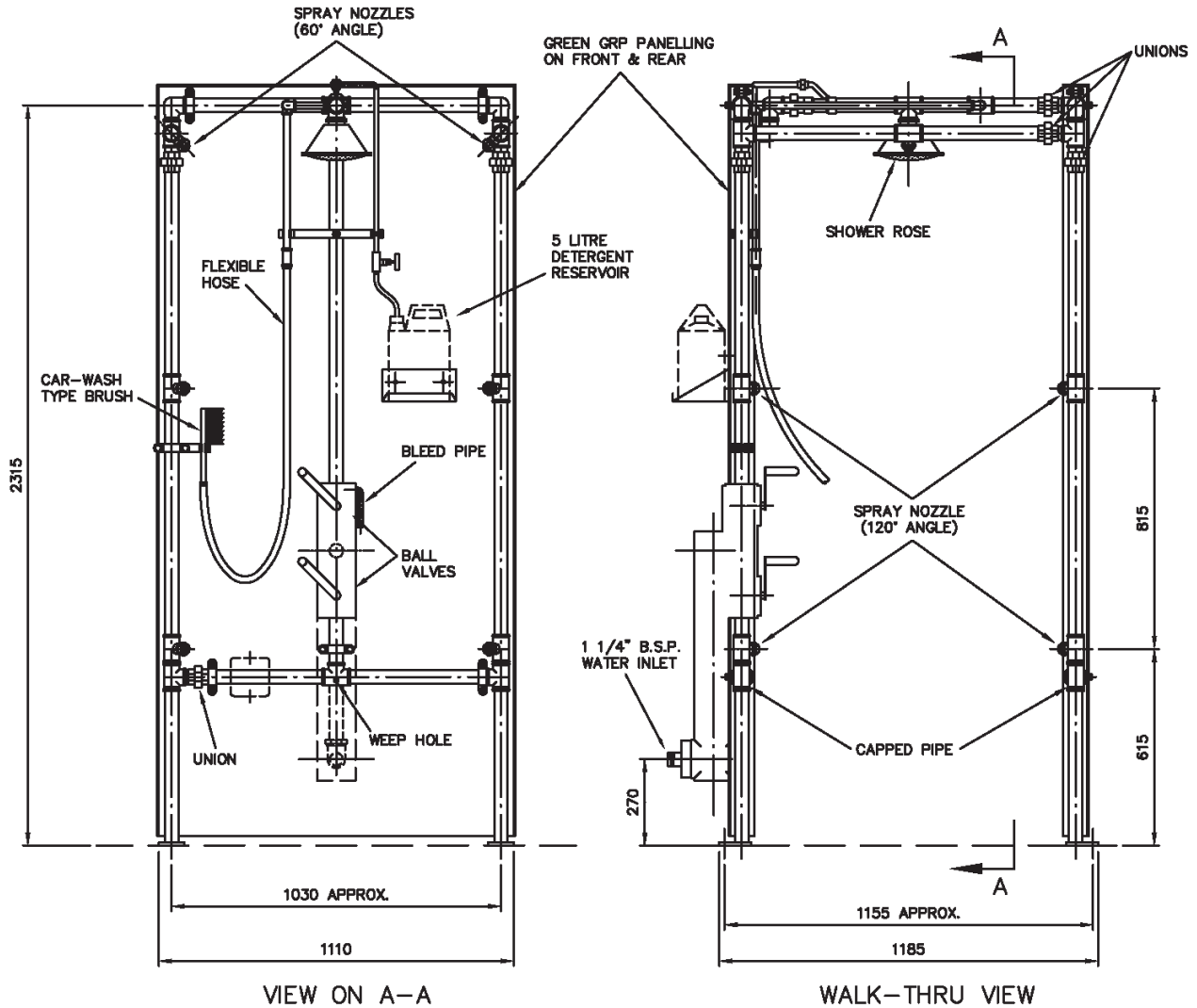
MATERIALS OF CONSTRUCTION	
PIPEWORK AND FITTINGS	Galvanised mild steel (DEC-VH-5), 316L stainless steel (DEC-VH-5S)
OPERATING VALVES	316L stainless steel
SHOWER SPRAY OUTLET	uPVC shower nozzles and stainless steel and GRP shower rose
PANELLING	Green heavy duty GRP
SERVICES	
WATER INLET	1 1/2" Female BSP
OPERATING PRESSURE	4 to 6 BAR G (57 to 87 PSI) (higher supply pressures accommodated with the incorporation of the optional pressure reducing valve)
TEST PRESSURE	10.3 BAR G (149 PSI)
MINIMUM FLOW RATES	250 litres/minute minimum (66 US gallons)
ELECTRICAL SUPPLY	230V, single phase, 50/60Hz (110V optional)
ENVIRONMENTAL OPERATING TEMPERATURE	
MINIMUM AMBIENT OPERATING TEMPERATURE	-20° C (-4° F)
MAXIMUM AMBIENT OPERATING TEMPERATURE	35° C (95° F)
OPERATIONAL	
SHOWER SPRAY NOZZLES	Hand activated
HOSE BRUSH	Hand activated
WEIGHTS and DIMENSIONS	
DIMENSIONS (WxDxH)	1110mm (43.7in) x 1300mm (51.2in) x 2400mm (94.5in)
WEIGHT (NO OPTIONS)	170kg (375lbs)

View our Guide to the ANSI/ISEA Z358.1-2014 International Standard for Emergency Eyewash and Shower Equipment at www.hughes-safety.com



**DEC-VH-5
DEC-VH-5S**

Freeze Protected PPE Decontamination Shower



HUGHES



HUGHES-SAFETY.COM

a Justrite® Group Company

Hughes Safety Showers Ltd, Whitefield Road, Bredbury, Stockport SK6 2SS UK.

Email: info@hughes-safety.com

Tel: +44 (0)161 430 6618

Registered No. 0939240. VAT Registration No. 918 5005 32. Hughes Safety Showers Ltd is a Justrite Group Company.